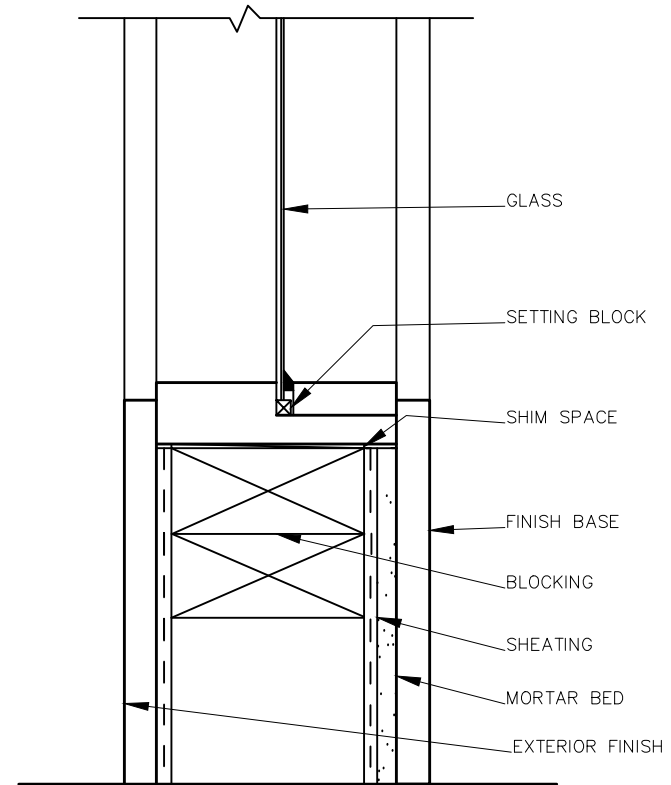


DOOR JAMB

3" - 1'-0"

2



WINDOW SILL

3" - 1'-0"

1

DOOR DETAIL  
WINDOW DETAIL

DATE: 6/13/11  
SCALE: 3" - 1'-0"  
DRAWN BY: ISABELLA TIO  
SHEET NUMBER:

**A6.0**

MR. AND MRS. SMITH LOFT  
123 BUCKINGHAM DRIVE  
SANTA CLARA, CA 95051

PHONE: (408) 123-4567

IGLOO DESIGN

5989 CAMDEN CIRCLE  
CITRUS HEIGHTS, CA 95621

PHONE: (408) 674-9319

FAX: (408) 789-1234